

Nicholas Anthony.
INTERIORS SINCE 1963



A: OVERVIEW

B1: BRIEF

B1: CONCEPT 1

B1: CONCEPT 2

B2: FLOOR PLANS

B3: BUDGET

C1: CHOSEN DESIGN

C2: IMPORTANT ELEMENTS

C3: MATERIALS & SWATCHES

C4: INNOVATIONS

C5: TESTIMONIAL



A: OVERVIEW

In the realm of luxury interior design, the Nicholas Anthony team is renowned for their visionary creations.

When a client approached them with utmost trust and a blank canvas, they were presented with an opportunity to craft a bathroom that would epitomise opulence.

With the client's desires in mind, the team embarked on a journey to design a divine and glamorous master bathroom that would astound and captivate.



One of the primary objectives of the project was to make the best use of the available space. Nicholas Anthony carefully analysed the dimensions and layout, ensuring that every corner was optimised. To achieve this, they integrated storage solutions throughout the bathroom and a dividing wall to separate the shower area and conceal the w/c. Elegant cabinetry with exquisite finishes was strategically placed to offer ample storage for toiletries, linens, and other essentials, all while maintaining a sense of sophistication.

The grandeur of the room was accentuated through careful selection of luxurious materials and fixtures, opting for a stunning combination of ceramic cladding that mimicked that of marble, and glass creating an ambiance of timeless elegance.





RADIATORS



FAUCETS

Meticulous attention to detail is at the essence of the Nicholas Anthony team. Every element, from the handles on the cabinets to the faucets and radiators, was meticulously chosen to complement the overall aesthetic. The design team collaborated with skilled artisans, who handcrafted bespoke features to elevate the bathroom's allure.

The shower which provides a spa-like experience for the client was installed behind the left hand-side of the vanity unit wall to offer privacy. To ensure low maintenance of the space was obtained, the walk-in shower doesn't have a glass door.

From the very beginning, the team was determined to create something extraordinary for the client. As experienced designers, Nicholas Anthony understood the importance of not only meeting but exceeding clients' expectations. This required us to carefully select the appropriate colour schemes, materials, and products that would perfectly encapsulate their vision.

Nicholas Anthony envisioned a space that would seamlessly blend practicality with grandeur, paying meticulous attention to every detail. The team proposed a concept that involved creating a new dividing wall, serving the dual purpose of separating the shower area and concealing the toilet. This innovative design would allow for a harmonious and visually striking layout.

When it comes to creating a unique and personalised space, the original concept serves as the foundation upon which the entire design evolves. In the recent project, the Nicholas Anthony team were fortunate enough to witness the transformation of an initial idea into a stunning reality. One crucial aspect that cannot be overlooked is the ongoing relationship Nicholas Anthony has fostered with this client. This was not the first collaboration but rather the third house the team had the privilege of working on. Such continued partnerships are a testament to the trust and confidence the client has placed in Nicholas Anthony.



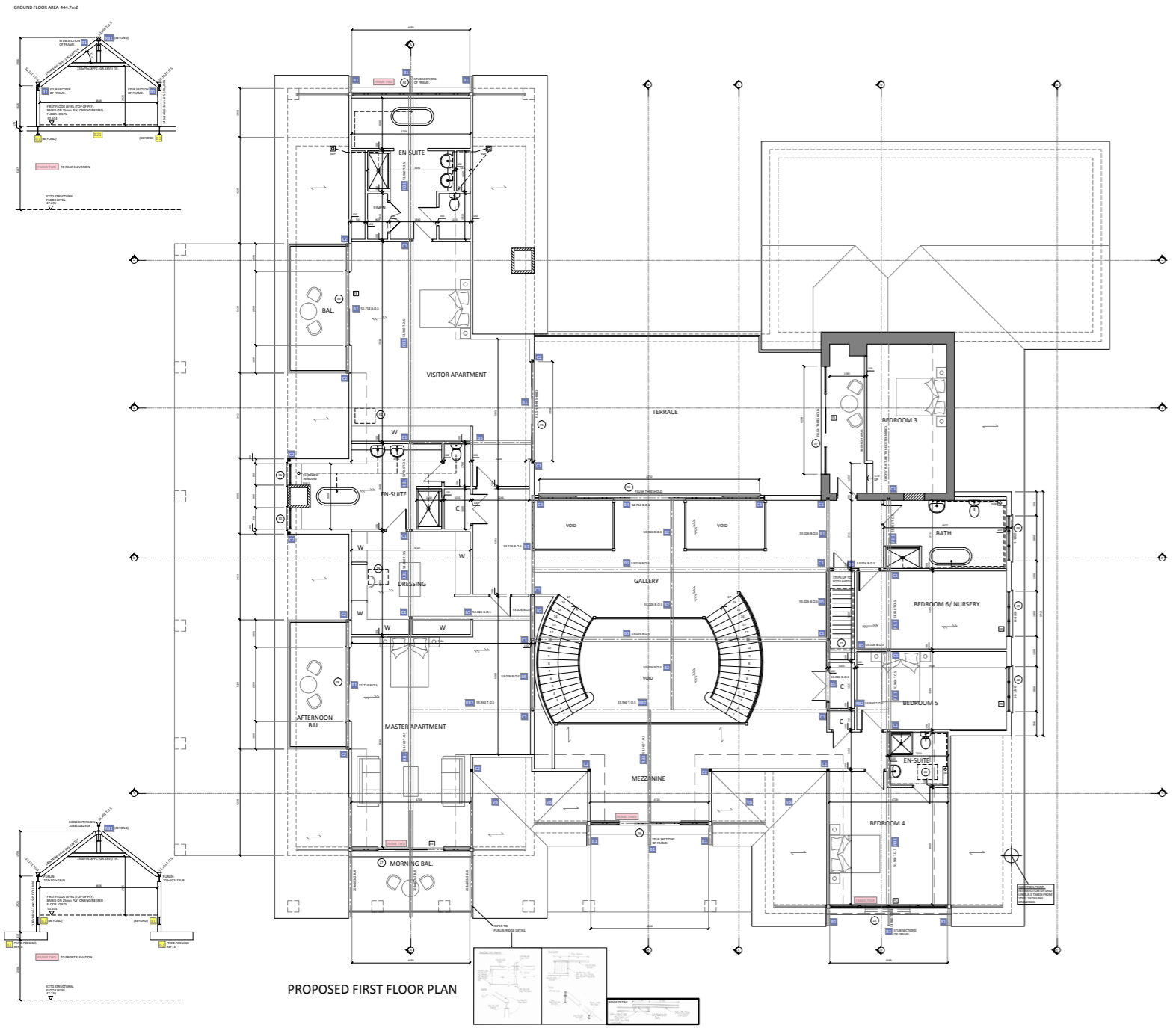
Throughout the design process, the team explored various options, constantly seeking ways to enhance the overall aesthetic and functionality of the space. Nicholas Anthony's meticulous attention to detail ensured that every aspect of the design was carefully considered and crafted. This level of dedication allowed them to create an ambiance that resonated with the client's preferences and lifestyle.

As the team delved deeper into the project, it was quickly realised that presenting all the design options could potentially dilute the impact they aimed to achieve. By carefully curating the choices available, the team were able to convey a stronger and more cohesive message. This conscious decision demonstrated Nicholas Anthony's commitment to delivering the best possible design outcome.

This bathroom installation showcased the evolution of an original concept into a breathtaking design. Nicholas Anthony's careful selection of colour schemes, materials, and products enhanced the overall aesthetic of the space, and the decision to not present all design options further solidified the message the team intended to convey.

Nicholas Anthony is honoured to have contributed to the creation of our client's dream home for the third time, creating a space that reflects their personality and style.





PROPOSED FIRST FLOOR PLAN

LEGEND/NOTES:

- 1. EXISTING WALLS
- 2. NEW WALLS
- 3. EXISTING DOORS
- 4. NEW DOORS
- 5. EXISTING WINDOWS
- 6. NEW WINDOWS
- 7. EXISTING STAIRS
- 8. NEW STAIRS
- 9. EXISTING LIFT
- 10. NEW LIFT
- 11. EXISTING TERRACE
- 12. NEW TERRACE
- 13. EXISTING BALCONY
- 14. NEW BALCONY
- 15. EXISTING PATIO
- 16. NEW PATIO
- 17. EXISTING DRIVEWAY
- 18. NEW DRIVEWAY
- 19. EXISTING CARPORT
- 20. NEW CARPORT
- 21. EXISTING GARAGE
- 22. NEW GARAGE
- 23. EXISTING PORCH
- 24. NEW PORCH
- 25. EXISTING PATIO
- 26. NEW PATIO
- 27. EXISTING BALCONY
- 28. NEW BALCONY
- 29. EXISTING TERRACE
- 30. NEW TERRACE

MEMBER SCHEDULE:

NO.	DESCRIPTION	QUANTITY	UNIT
1	100mm GIB PLASTER	150	SQ M
2	125mm GIB PLASTER	100	SQ M
3	150mm GIB PLASTER	50	SQ M
4	200mm GIB PLASTER	20	SQ M
5	250mm GIB PLASTER	10	SQ M
6	300mm GIB PLASTER	5	SQ M
7	350mm GIB PLASTER	2	SQ M
8	400mm GIB PLASTER	1	SQ M
9	450mm GIB PLASTER	1	SQ M
10	500mm GIB PLASTER	1	SQ M
11	550mm GIB PLASTER	1	SQ M
12	600mm GIB PLASTER	1	SQ M
13	650mm GIB PLASTER	1	SQ M
14	700mm GIB PLASTER	1	SQ M
15	750mm GIB PLASTER	1	SQ M
16	800mm GIB PLASTER	1	SQ M
17	850mm GIB PLASTER	1	SQ M
18	900mm GIB PLASTER	1	SQ M
19	950mm GIB PLASTER	1	SQ M
20	1000mm GIB PLASTER	1	SQ M

C. MINOR AMENDMENTS - PLUS REAR BTTY. 10/12/16
 INTERNAL PARTITION DIMS ADDED. 28/12/16
 STEEL JOIST REVISION. 18/02/16

Author: MR. B. HUGHES

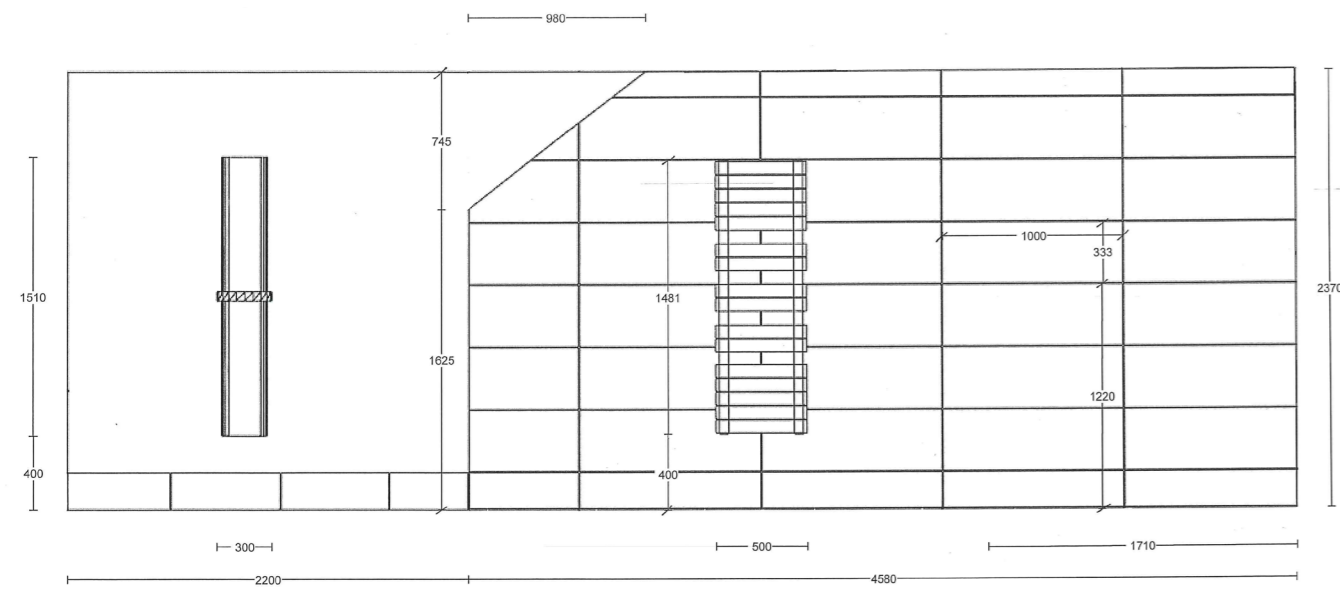
Project: PROPOSED ADAPTATIONS

Disc: BUILDING REGULATION DRAWING
 PROPOSED FIRST FLOOR PLAN

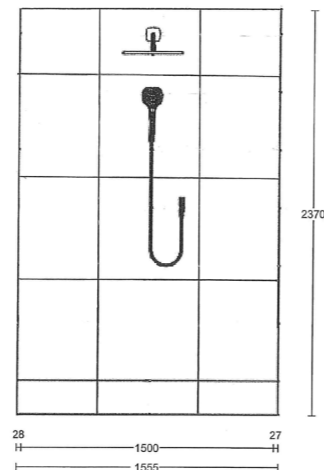
Disc No: 1135 - L - 102 (C) 09/10/2016
 Scale: 1:50 AD 09/10/2016

A D P

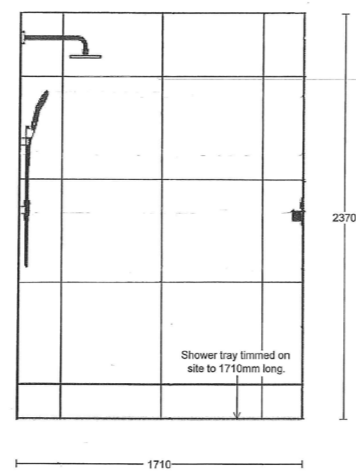
PROPOSED FIRST FLOOR PLAN



Elevation B

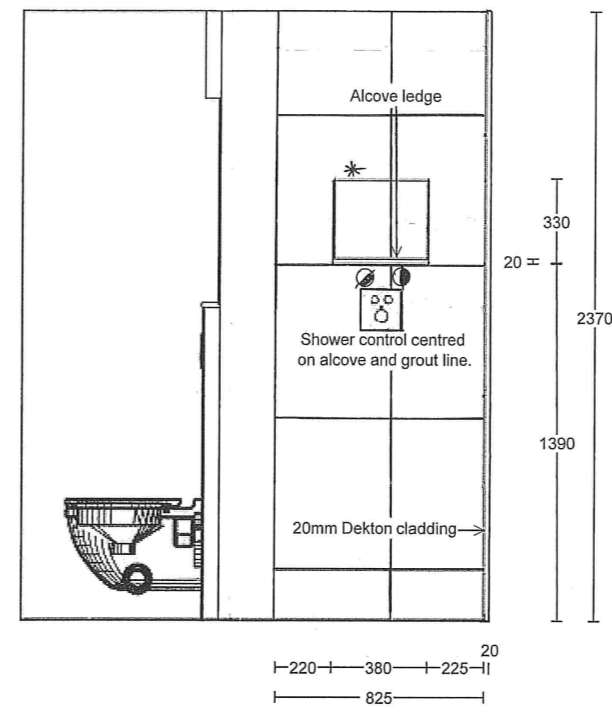


Elevation C

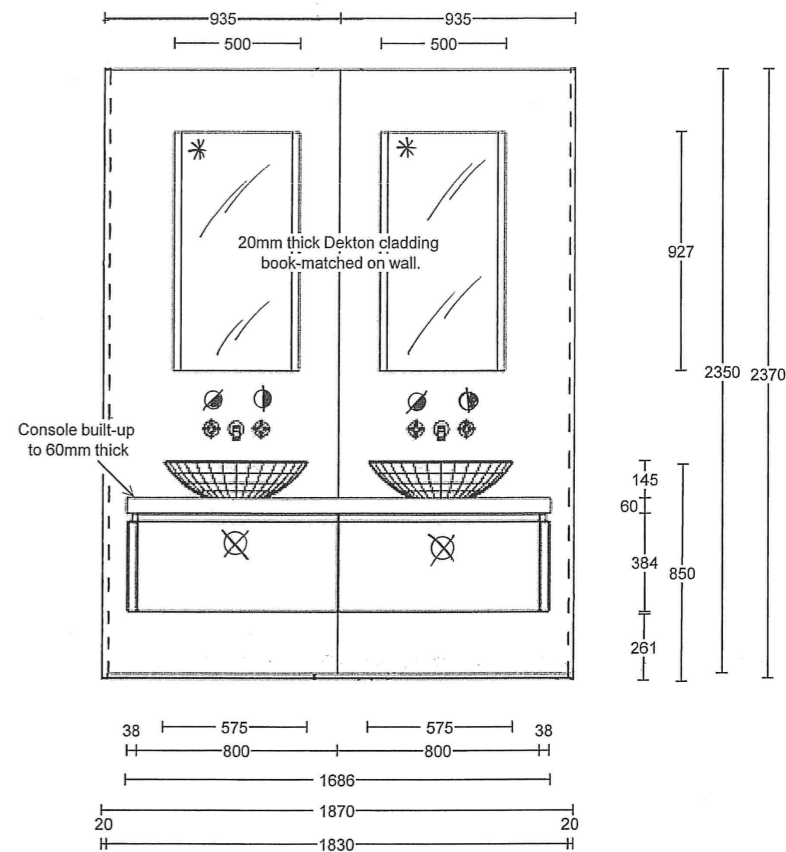


Elevation D

ELEVATION B, C & D

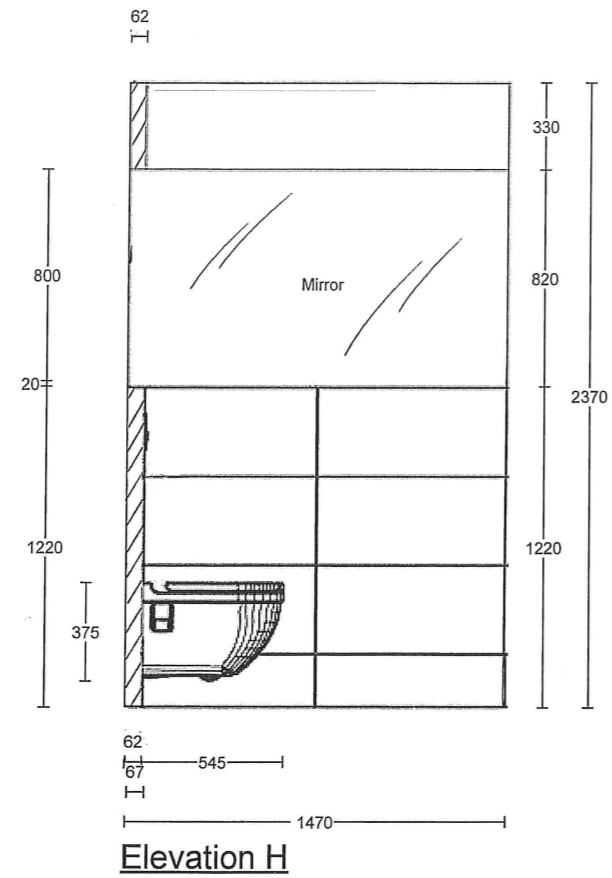
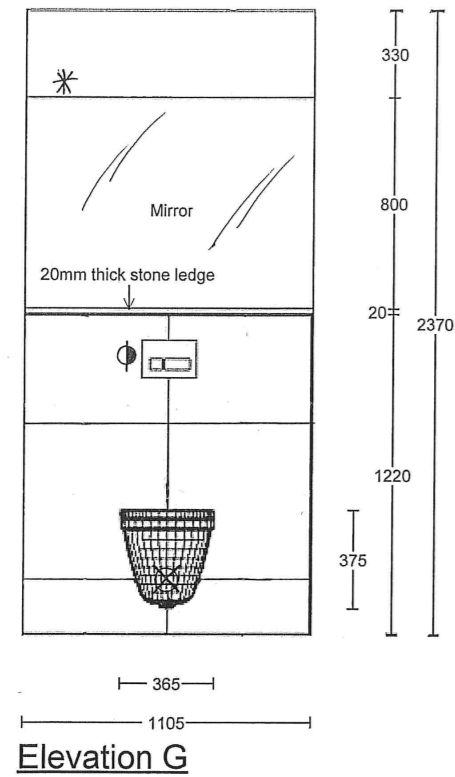


Elevation E

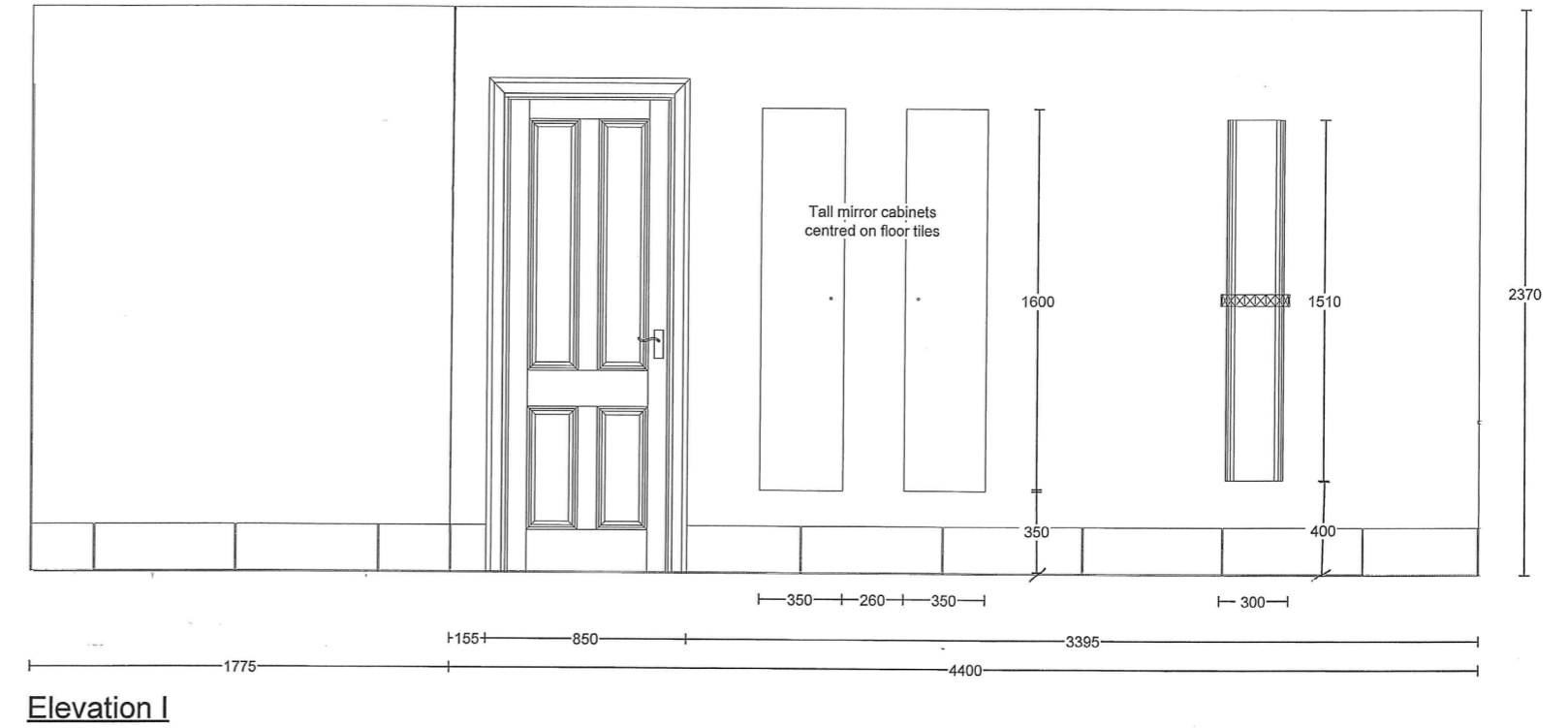


Elevation F

ELEVATION E & F



ELEVATION G & H



ELEVATION I

Initially, the client did not formally establish a predetermined budget and following extensive consultations was happy to proceed with the presented concept.



COST BREAKDOWN

- Furniture: £1,875.92
- Tiles: £7,857.30
- Bathroom Products: £6,455.06
- Stone: £10,197.85
- Total: **£26,386.13**

An opulent bathroom designed with symmetry at its heart is a true testament to luxury and elegance. The meticulous attention to detail and harmonious balance in such a design creates a space that not only looks visually stunning but also promotes a sense of tranquillity and well-being. The client has a penchant for the finest quality, and the chosen materials and colour schemes reflected this. As you come into the room you have the wow factor of the bath and mitred vein match stone chimney cladding; turn around and you are met with the twin basins installed on a purpose built wall configured to hide the toilet and shower facilities – it gets better as you continue to explore this vast space.

The porcelain slab material Nicholas Anthony incorporated not only accentuated the luxury of the space but also added a touch of sophistication.



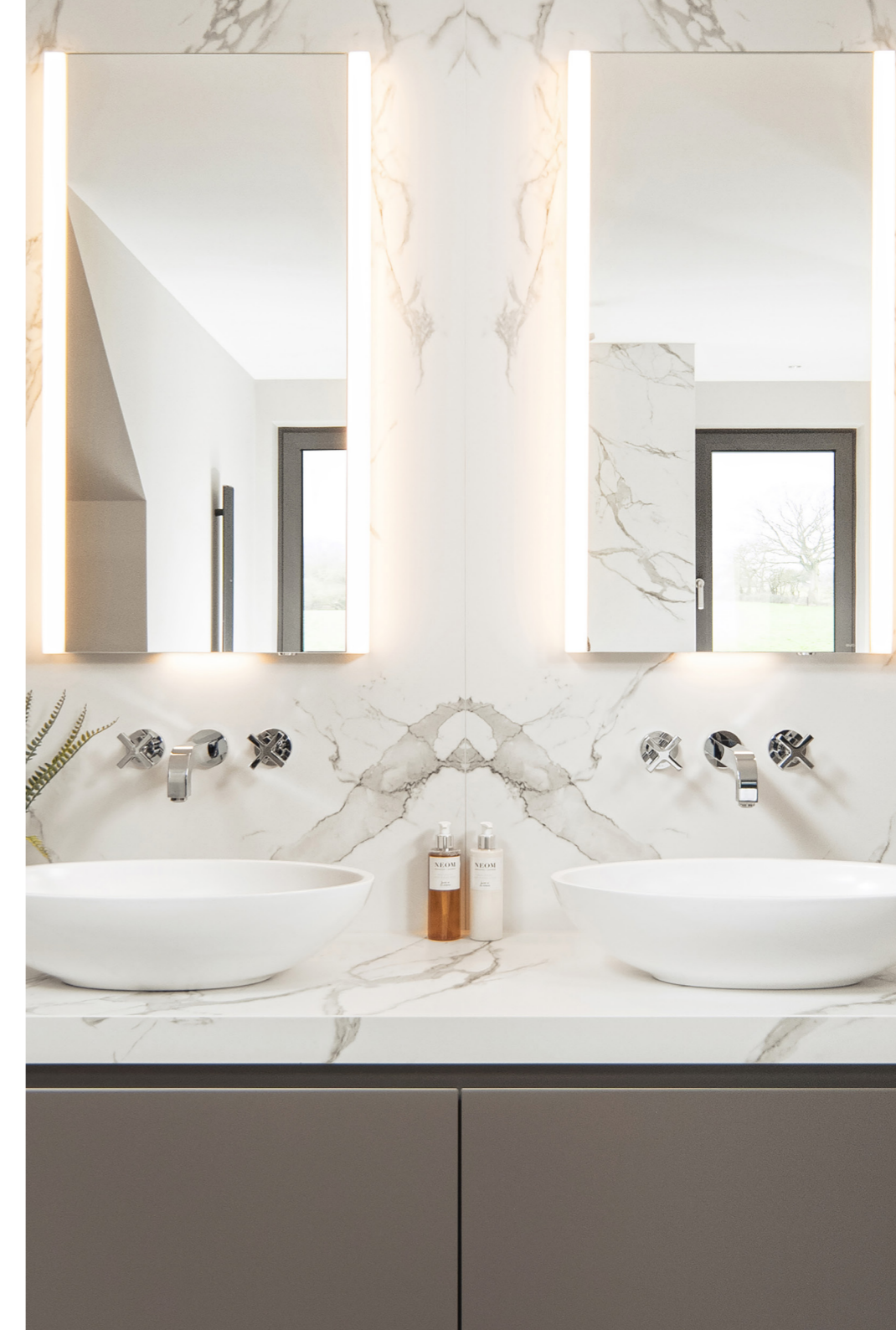


The porcelain floor tiles were installed with the placement of the free-standing bath in mind ensuring that it was all centralised with the tub and keeping symmetry at the heart of this design. It was also essential that the cladding on the chimney used vein match stone echoed the symmetry that Nicholas Anthony wanted to achieve for the client, whilst also providing functionality. The team built out a ledge for use purposes and plumbing requirements.

Furthermore, the colour scheme Nicholas Anthony selected seamlessly blended with the other rooms in the property, creating a harmonious flow throughout the house.

In addition to its functional aspect, the storage solutions also contribute to the overall aesthetic appeal of the space.

With symmetry as the guiding principle, the cabinets are perfectly aligned, creating a sense of balance and harmony. This is also true for the radiators, which were balanced in line with the face of the chimney breast. One of the key features of this opulent bathroom is its emphasis on storage space. Recognising that tidiness is essential for a truly luxurious bathroom, ample storage solutions have been seamlessly integrated into the design. Semi-lacquered, handleless Nicholas Anthony SystemPRO cabinets with a super matt finish along with tall glass storage units, provide plenty of space for towels, toiletries, and other essential items. Every item has its designated place, ensuring that the bathroom remains clutter-free and effortlessly organised.



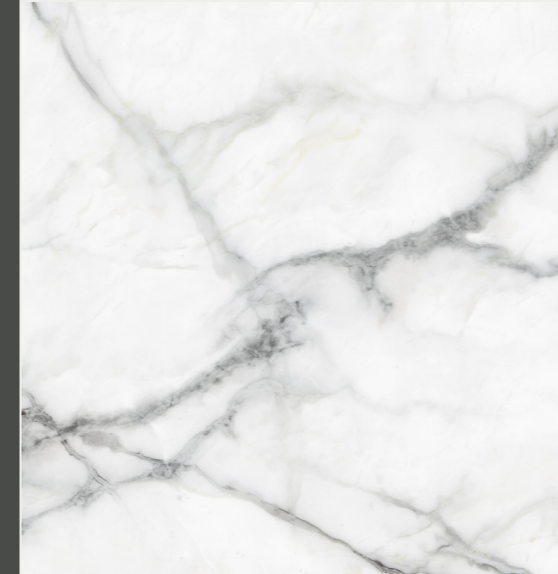


The soft lines contrast with dramatic feature walls, marble-effect backsplashes, metallic mosaic details and impressive artwork.

Lighting covers both form and function – as a halo behind dual sinks, inside expansive showers and creating a soothing display as it washes down walls and ambience-enhancing nooks.

The master bedroom benefits from an ensuite bathroom which boasts the leitmotif of a free-standing bath. The tub sports an ergonomic shape – deceptively simple in style but masterful in design.

Creating a tranquil environment for rest and well-being is another crucial aspect of this magnificent bathroom design. Soft, neutral colour palettes are employed to evoke a soothing atmosphere, allowing one to unwind and find solace amidst the hustle and bustle of daily life. The chosen materials and use of natural colours, bring a sense of warmth and grounding to the space, fostering a connection with nature and promoting relaxation.



Dekton Aura 15 Wall Cladding



Agate Grey Furniture



Acero Rodano Floor Tile



Darwin Silver Wall Tile



The design of this opulent bathroom prioritises low maintenance. The selection of materials and finishes takes into consideration the need for durability and ease of cleaning. High-quality, stain-resistant surfaces, such as vein matched ceramic countertops, are used to minimise upkeep while still exuding a sense of luxury.

Additionally, the bathroom fixtures, such as the faucets and showerheads, have been chosen for their functionality and style, ensuring that the space exudes elegance and sophistication at every angle.



I have worked with Nicholas Anthony for many years and on multiple projects. Each time I have worked with them I have always been extremely pleased with the results. This bathroom was no exception. The attention to detail, fine finishes and craftsmanship is second to none. Not only are they incredibly proficient in the design and installation of luxurious interiors, the process and service was exceptional. I was kept inform at every stage, presented with a plethora of material choices and was provided expert recommendations to ensure that my desired vision became a reality.

Ben Hughes

What has been achieved by the Nicholas Anthony team is a glamorous bathroom designed with symmetry at its heart which combines functional storage solutions with low maintenance features, all while providing a tranquil space for rest and well-being.

The meticulous attention to detail and balance in design create a harmonious environment that is both visually stunning and deeply relaxing. This luxurious bathroom offers a haven for self-care, ensuring that every moment spent within its walls is an indulgence in comfort and elegance.



The background of the entire page is a high-resolution image of a marble surface. The marble is primarily white with intricate, flowing veins of light grey and pale yellow. The veins vary in thickness and direction, creating a complex, organic pattern. The lighting is even, highlighting the natural texture and subtle color variations of the stone.

THE INTERNATIONAL PROPERTY AWARDS | BATHROOM DESIGN: F11 | BEN HUGHES BATHROOM BY NICHOLAS ANTHONY

www.nicholas-anthony.co.uk